

Sensor-switched LED floodlight - Professional Line

# XLED PRO Expanse SC

with motion detector & Bluetooth - anthracite  
EAN 4007841 093938  
Article number 093938



LED

3000 K



infrared sensor  
270°



max. 12,5 m



Eagle Eye  
Technology



Digital sensor  
setting



Bluetooth Mesh



IP54



IK03



2 - 2000 lux

## Function description

Panoramic light into every corner. The XLED PRO Expanse SC LED sensor spotlight illuminates even the most hidden corners. With three powerful light surfaces, it offers wide-angle panoramic illumination that bathes even hard-to-reach areas in bright light. With 15,1 W and 1642 lm, the XLED PRO Expanse SC delivers powerful, warm light (3000 K) that perfectly illuminates the surroundings. The 270° sensor with a maximum range of 12,5 m reliably detects every movement and makes dark corners a thing of the past. A special feature is the Eagle Eye technology. This doubles an individually adjustable detection range when walking towards the sensor. Setting up and commissioning is easy with the free Steinel Connect app. Whether at the top, bottom, right or left – the spotlight can be fully rotated, tilted and locked, and can therefore be adjusted to individual requirements. Thanks to its IP54 classification and robust IK03 design, it is also highly resistant and comes with a 5-year warranty. Available in anthracite and white, as well as a version without a motion detector. Corner wall brackets available as an option.

## Technical specifications

Dimensions (L x W x H)	195 x 195 x 198 mm	Reach, tangential	r = 12.5 m (368 m <sup>2</sup> )
With lamp	Yes, LED lamp	Switching zones	442 switching zones
With motion detector	Yes	Photo-cell controller	Yes
Manufacturer's Warranty	5 years	Luminous flux total product	1642 lm
Settings via	Bluetooth Mesh	Measured luminous flux (360°)	1642 lm
Version	with motion detector & Bluetooth - anthracite	Total product efficiency	109 lm/W
PU1, EAN	4007841093938	Colour temperature	3000 K
Application, place	Outdoors	Service life LED L70B50 (25°)	> 60000 h
Application, room	garden, front door, courtyard & driveway, warehouse, all round the building, sports hall, terrace / balcony	Soft light start	No
Colour	Anthracite	Continuous light	selectable
Includes corner wall mount	No	Functions	Motions sensor, Light sensor
		Twilight setting	2 – 2000 lx
		Time setting	5 s – 60 Min.
		Basic light level function	No

<https://www.steinel.de>

Subject to technical modifications

04.2026 Page 1 from 3

# XLED PRO Expanse SC

with motion detector & Bluetooth - anthracite  
EAN 4007841 093938  
Article number 093938



## Technical specifications

Installation site	wall
Installation	Surface wiring, Wall
Impact resistance	IK03
IP-rating	IP54
Protection class	II
Ambient temperature	from -20 up to 40 °C
Housing material	Polycarbonate
Mains power supply	220 – 240 V / 50 – 60 Hz
Mounting height max.	6,00 m
Slave modeselectable	Yes
Sneak-by guard	Yes
Capability of masking out individual segments	Yes
Electronic scalability	Yes
Mechanical scalability	No
Reach, radial	r = 6 m (85 m <sup>2</sup> )

Main light adjustable	No
Twilight setting TEACH	Yes
Interconnection	Yes
Type of interconnection	Sensor/slave, Master/master
Interconnection via	Bluetooth Mesh
Output	15,1 W
R9-Farb-wiedergabeindex	18
Optimum mounting height	2 m
Detection angle	270 °
App	STEINEL Connect App
Product category	Sensor-switched LED floodlight
Energy efficiency class of light source	F

## Accessories

EAN 4007841 053086

Corner wall mount XLED Home 2/ Protect/ Pro 240/ PRO Expanse graphite

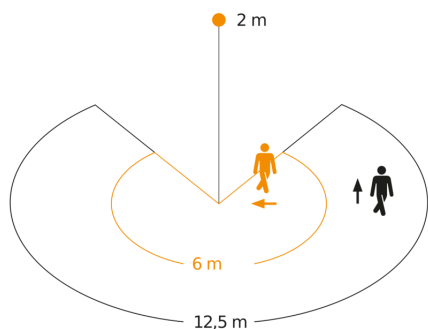
Sensor-switched LED floodlight - Professional Line

# XLED PRO Expanse SC

with motion detector & Bluetooth - anthracite  
EAN 4007841 093938  
Article number 093938

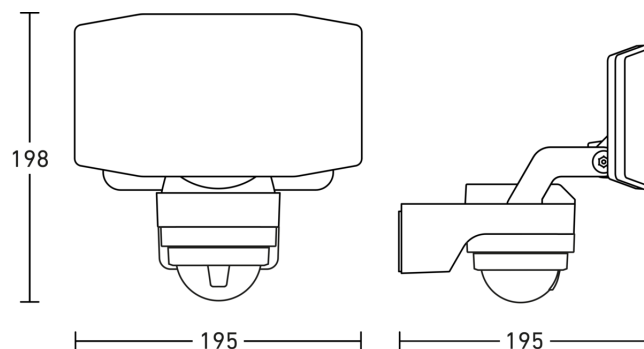


## Detection Zone



Possible mounting height: 1,80 m - 6,00 m  
Orange: radial  
Black: tangential

## Dimension Drawing



## Master/master bluetooth interconnection circuit diagram

